

HÆGER



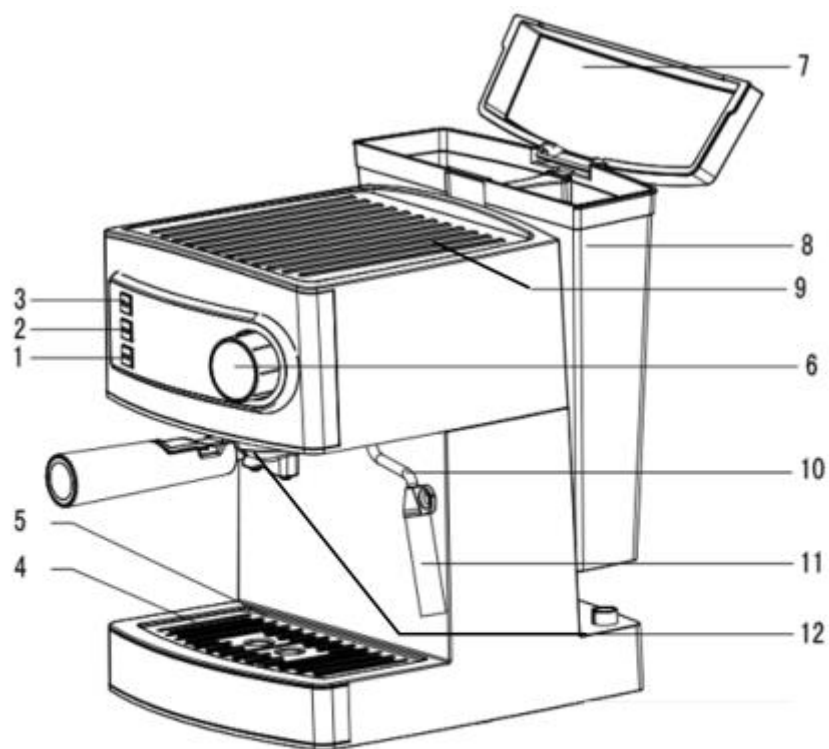
Espresso Machine
Máquina de Café Espresso
Cafetera Espresso
Machine à Espresso



D'Italia * CM-850.004A



Instructions Manual
Manual de utilizador
Manual de usuario
Mode d'emploi



Dear customer

Thank you for having chosen a HÆGER product.

The HÆGER products have been produced to think about the welfare of the consumer privileging the most raised standards of quality, functionality and assign. We are sure you will be happy with this appliance.

We assume that the user is familiar with the common procedures of handling household appliances.

Before using the appliance for the first time please read carefully and thoroughly through these operating instructions and the safety advice, completely familiarising yourself with the appliance. Retain these instructions for future reference and pass them on to whoever might acquire the appliance at a future date.

Intended use

The coffee maker is intended exclusively for brewing coffee. This coffee maker is intended exclusively for use in private households. Pay heed to all of the information in this operating manual, especially the safety instructions. All other uses are deemed to be improper and may result in property damage or even in personal injury. We shall not accept liability for damages caused due to improper use of the appliance.

General Safety Instructions

Please read this manual since it contains important information on the safety, use and maintenance of your appliance. Keep it in a safe place for future reference.

- After removing the packaging, make sure the appliance is undamaged. If in doubt, do not use, please contact an authorized service centre.
- Before plugging the coffee maker into the mains supply, check that the voltage corresponds with that stated on the characteristics plate. It is compulsory an earthed socket.
- Place the coffee maker on a flat surface, away from the edge of the work surface to prevent it from falling accidentally.
- **This appliance can be used by children aged from 8 years and above if they have been given supervision or instructions concerning the safe use of the appliance understand the hazards involved.**

Cleaning and maintenance by the user shall not be made by children unless they are older 8 years and supervised. Keep the appliance and its cord out of reach of children less than 8 years.

- Children should be supervised to ensure that they do not play with the appliance.
- Do not touch the hot surfaces. Use the handles or Knobs.
- Do not operate the appliance with the cable still coiled.
- Don't immerse the appliance, the plug or power cord in water.
- Always remove the plug from the socket whenever the device is not in use, when attaching accessory parts, cleaning the device or whenever a disturbance occurs. Leave it to cool down before putting it away or removing pieces and before cleaning the appliance.
- To switch the coffee maker off, put the ON/OFF switch to "0" position and unplug the appliance.
- Do not let the cable hang over the edge of the table or work-top, nor let it come into contact with hot surfaces.
- Do not switch the appliance on if the cable or the plug is damaged or if it can be detected that the appliance is not working correctly.
- **WARNING** – Be careful; do not get burned by the steam which is evaporating from the coffee filter.
- **Some parts of appliance are hot when operated, so do not touch with hand directly.**
- **WARNING** – To reduce the risk of fire or electric shock, never remove any of the covers. There are no user serviceable parts on the inside. Cable repairs and replacements must be carried out exclusively by a qualified technician.
- **This appliance has been designed exclusively for domestic use. For indoor use only. Do not use outdoors.**
- If the supply cord is damaged, it must be replaced by the manufacturer, its service agent or similarly qualified persons in order to avoid hazard.

HOUSEHOLD USE ONLY

Overview of the components

- | | |
|--------------------------------|----------------------------------|
| 1. ON/OFF switch | 2. Coffee switch |
| 3. Steam switch | 4. Drip tray |
| 5. Removable shelf/ Cup stand | 6. Steam control knob |
| 7. Water tank cover | 8. Water tank |
| 9. Cup warming top | 10. Steam tube |
| 11. Froth device | 12. Boiler outlet |
| 13. Filter holder handle | 14. Stainless steel filter |
| 15. Measuring spoon and tamper | 16. Metal funnel (filter holder) |

Before The First Use

- It is recommended to rinse the coffee maker before the first use. The coffee maker should also be rinsed after a longer period of time without use. Refer to the instruction in the **“Cleaning and maintenance”** chapter.
- Use the appliance as if it were about to make an espresso coffee but without any coffee, so as to flush through all of the internal parts of the coffee maker.
- There may be noise and no water comes out when pump the water at the first time, it is normal, you should turn the steam regulator to the opening position to release the air in the appliance. After about 20s, the noise will disappear and the water will come out.
- You cannot brew espresso if you have not flushed the machine at first; the flushing cycle causes the boiler to fill with water. If you have not used the machine for a few days, you have to flush it with fresh water before you use it again.

Preparation of Espresso Coffee

To make a cup of good hot Espresso coffee, we recommend you preheat the appliance before making coffee, including the filter holder, filter and cup, so that the coffee flavour cannot be influenced by the cold parts.

1. Make sure that all buttons are in the **“OFF”** position and that the steam control knob is closed by turning it clockwise.
2. Open the tank cover and pour water into it, the water level should not exceed the **“MAX”** mark in the tank. Then close the water tank cover.

NOTE: The appliance is supplied with a detachable tank for easy cleaning, you can fill the tank with water firstly, and then put the tank into the appliance.

3. Plug in to a power source and turn the device on by pressing the ON/OFF switch. The coffee maker will start to pre-heat and the blue LED will blink.
4. Choose the right filter (for two cups or for pod) and put it into the filter holder.
5. When coffee maker is ready, the LED will stop blinking and shine continuously.
6. Hold the filter holder below the boiler outlet and turn it to clockwise. Make sure the handle of the filter holder aligns with groove in the appliance, then move it to the right from the "INSERT" position to "LOCK" position.
7. Place a cup on removable shelf and press the button "coffee switch" and wait for a few seconds, then press "coffee switch" again to close the flow of the water. Pour out the hot water in the cup of preheating process.
8. Fit the suitable coffee filter into the filter holder. Use the pod cup filter or the large 2 cup filter for two cups of espresso. Fill the filter using the measuring spoon. Clean away any coffee that may remain around the edge of the filter holder. The coffee powder could not exceed the max level in the filter after being pressed.
9. Place the filter holder into its housing. Turn the filter holder round to the right until you notice it is stopped. Do not force it.
10. Place cups under the outlets of the filter holder.
11. Press "coffee switch" and wait for the right amount of coffee to pour into the cups then press "coffee switch" again.

WARNING Do not leave the coffee maker unattended during making the coffee, as you need operate manually sometimes!

12. After finishing making the coffee, you can take out the filter holder, lock the filter by filter lock bar and pour out the coffee residue.
13. Let them cool down completely, then rinse under running water.

IMPORTANT NOTICE

You cannot start to make espresso until the ready light glows because it means the water temperature is not enough. To avoid water leakages from the rim of filter holder and to ensure optimum performance, it is necessary to clear any ground coffee from around the boiler outlet. Take care as the area may be hot.

Frothing milk

It is advised to froth the milk after the coffee had been prepared as milk frothing mode requires a higher temperature. After milk frothing it is necessary to wait a minimum of 5 minutes to allow the device to cool down slightly. If the temperature of brewing is too high, the coffee can be scalded which will cause the coffee to have a burned and bitter taste and aroma.

Before frothing ensure the volume of the milk is adequate in the cup. Milk can double in volume after frothing, so care should be taken when deciding the volume of milk.

Use a heat-resistant cup for milk frothing. The cup can get very hot during frothing.

1. Turn on the milk frothing mode by pressing steam switch. The LED control light will start to blink. When the light starts to shine continuously the device is ready to generate steam.
2. Rinse the steam tube by turning the steam knob anti-clockwise. Steam and some water will come from the steam wand. Turn off the steam by turning the steam knob to the right in clockwise.
3. Immerse the steam tube into the cup with cold milk and turn the steam knob to the left in anti-clockwise.
4. To end the milk frothing process turns the steam knob clockwise. Take out the steam tube from the cup with milk. Never take the steam tube out of the cup if the steam knob is not turned off. Hot steam may cause injuries and scalds.
5. After milk frothing it is advised to put the steam tube into a cup with clean cold water and rinse the system. After the steam tube is immersed in the cup with water turn the steam knob anti-clockwise. After few seconds, turn off the steam flow by turning steam knob clockwise.
6. Turn off the milk frothing mode by press the steam switch.

IMPORTANT:

- In choosing the size of jug, it is recommend the diameter is not less than 70±5mm, and bear in mind that the milk increases in volume by 2 times, make sure the height of jug is enough.
- Never turn the steam control button rapidly, as the steam will accumulate rapidly in short time which may increase the potential of the risk of explosion.
- During operation, if the blue indicator is extinguished, you should turn the steam control leftwise. Press coffee switch and pump water, and then wait for until the blue light is illuminated permanently and turn the steam control knob in anti-clockwise, the steam will come out again.
- Clean steam outlet with wet sponge immediately after steam stops generating, but care not to hurt!

Preparation of Cappuccino

You get a cup of cappuccino when you top up a cup of espresso with frothing milk.

1. Prepare espresso first with container big enough according to the part "**Make Espresso Coffee**"; make sure that the steam control knob is turned off at right.
2. Froth the milk as instructed on "**Frothing milk**".
3. Pour the frothed milk into the espresso prepared; now the cappuccino is ready. Sweeten to taste and if desired, sprinkle the froth with a little cocoa powder.

Clean and Maintenance

Rinse the coffee maker's water system

1. Turn device on by pressing the On/Off switch. Coffee maker will start to pre-heat, LED will blink.
2. When coffee maker is ready, the LED will stop blinking and turns on.
3. Place the filter holder in the mounting point to rinse the water system of coffee maker. Press the button "coffee switch" and wait for a few seconds, then press "coffee switch" again to close flow of the water.

Regular cleaning after each use

1. Unplug the power cord and let the coffee maker cool down completely before cleaning.
2. Clean the housing of coffee maker with moisture-proof sponge often and clean water tank, drip tray and removable shelf regularly under warm running water.

NOTE: Do not clean with alcohol or solvent cleanser. Never immerse the housing in water for cleaning.

3. Detach the filter holder through turn it anticlockwise, get rid of coffee residue inside, then you can clean it with a cleaner, but at last you must rinse the parts with clear water.
4. Clean all the attachments and dry thoroughly.

Cleaning mineral deposits

To make sure your coffee maker operating efficiently, you should clean away the mineral deposits left every 2-3 months. To do this:

1. Fill the tank with water and descaler to the **MAX** level (the scale of water and descaler is 4:1); the detail refers to the instruction of descaler. Please use

“household descaler”. You can use also the citric acid instead of the descaler (the relation is three parts of water and one part of citric acid).

2. Operate the appliance for two cycles following the steps for making espresso and frothing milk and rinse the device with the water /descaler mixture.
3. Following this, and to flush out any traces of descaler or citric acid, operate the coffee maker for a further two cycles but with water only.

Technical Data

Model:	CM-85B.006A
Power supply:	220 -240V~, 50 Hz
Power consumption:	850W
Protection class:	Class I

CE Conformity



This device has been tested according to all relevant current CE guidelines, such as electromagnetic compatibility and low voltage directives, and has been constructed in accordance with the latest safety regulations.

This product has been designed, manufactured and marked in compliance with:

- The safety objectives of Low voltage Directive 2014/35/EU;
- The protection requirements of EMC Directive 2014/30/EU.
- Directive RoHS 2011/65/EU
- Requirement of directive 93/68/EC

This appliance is designed to come into contact with food and is designed in accordance with EC Directive 1935/2004/EEC.

The electrical safety of the appliance is guaranteed only if it is connected to an efficient and approved earthing system.

Disposal – Environment policy

Packing



The packaging material is entirely recyclable, and marked with the recycling symbol. Follow local regulations for scrapping. Keep the packaging materials (plastic bags, polystyrene parts, etc.) out of reach of children, as they are potentially dangerous.

Disposal

This appliance is marked according to the European directive 2012/19/EU on Waste Electrical and Electronic Equipment (WEEE).

By ensuring this product is disposed of correctly, you will help prevent potential negative consequences for the environment and human health, which could otherwise be caused by inappropriate waste handling of this product.



This symbol on the product, or on the documents accompanying the product, indicates that this appliance may not be treated as household waste. Instead it shall be handed over to the applicable collection point for the recycling of electrical and electronic equipment.

Disposal must be carried out in accordance with local environmental regulations for waste disposal. For more detailed information about treatment, recovery and recycling of this product, please contact your local city office, your household waste disposal service or the shop where you purchased the product.

Warranty Declaration

Insofar as claims filed for elimination of deficiencies (applicable laws) are being processed, these shall be handled via the contractual partners. In addition, the distributor provides the following manufacturer's warranty:

1. For this device, the distributor grants a warranty period of 24 months (*), figured from the date of purchase from the dealer; this must be verified by the original receipt, or other similar documents, in accordance with pertinent, existing guidelines.
2. Warranty claims shall be filed via a dealer.
3. The voluntary warranty covers the rectification of any damage or deficiency that occurs during the warranty period and which is demonstrably due to material or production faults.
4. Not included in this voluntary warranty are damage and deficiencies resulting from incorrect connection, from improper handling, from non-observance of the programming instructions or instructions for use, or from force majeure. The voluntary warranty does not cover installation and programming work performed by the dealer. In particular, no claim can be

made for installation or programming work to be performed free of charge by the dealer. The voluntary warranty does not cover deficiencies which have a negligible effect on the value or usability of the device. Further costs, such as for installation, transport and travel expenses are expressly excluded from the warranty.

5. It is at the discretion of the distributor to replace the device with an identical one instead of performing repairs. Further claims for damage are not permissible. Any data stored in the device will be lost after repair work or replacement of the device.
6. The voluntary warranty is nullified if changes are made to the product, or when the product is operated in a country for which it was not developed nor produced.
7. Fulfilment of the voluntary warranty presupposes that the device has been packed complete and protected against breaking and impacts (if possible in the original packaging) and shipped with the warranty certificate from the dealer.
8. If testing reveals that there are no grounds for warranty claims, or that the product does not exhibit any deficiencies, the costs for repair work and testing shall be borne by the user. The distributor processing the claim arising from the voluntary warranty is authorized to charge these costs to the user.
9. Services arising from the voluntary warranty affect neither an extension of the warranty period, nor do they mark the beginning of a new term for the voluntary warranty.
10. Warranty claims according to applicable law filed by the end customer shall neither be excluded, nor restricted by this independent manufacturer's declaration.

The user is protected by the guarantee indicated in the Directive 1999/44/CE issue by the European Parliament on 1999, May 25.

(*) Only for European Union countries

Estimado Cliente

Obrigado por ter escolhido um produto HÆGER.

Os produtos HÆGER foram concebidos a pensar no bem-estar do consumidor, privilegiando os mais elevados padrões de qualidade, funcionalidade e design. Estamos certos da sua satisfação pela aquisição deste produto.

Partimos do princípio que o utilizador possui conhecimentos gerais sobre o manuseamento com electrodomésticos.

Antes da primeira utilização, leia cuidadosa e totalmente estas instruções de utilização e de segurança e familiarize-se com as funções do aparelho. Guarde estas instruções e, se necessário, entregue-as a terceiros.

Uso adequado

Esta máquina de café serve exclusivamente para a preparação de café e destina-se apenas ao uso privado. Preste atenção a todas as informações deste manual, com especial ênfase para as indicações de segurança. Qualquer outro tipo de utilização é considerado incorrecto e pode conduzir a danos materiais ou até mesmo pessoais. Não são assumidas quaisquer garantias relativamente a danos causados pela utilização incorrecta.

Instruções gerais de segurança

Por favor leia este manual pois contém importantes informações sobre segurança, utilização e manutenção do aparelho. Guarde-o em lugar seguro para futuras consultas.

- Depois de retirar todo o material de embalagem, verifique se o aparelho não apresente danos. Em caso de dúvida, não o utilize, contacte primeiro o seu revendedor ou leve-o ao local de compra.
- Antes de ligar o aparelho à electricidade, assegure-se de que a tensão eléctrica corresponde à indicada na placa de características. É obrigatório dispor de uma tomada com terra.
- Coloque a máquina de café sobre uma superfície plana, afastada dos cantos da mesa, para evitar que possa cair por acidente.
- **Este aparelho pode ser utilizado por crianças a partir dos 8 anos sob supervisão ou se tiverem recebido instruções relativas à utilização segura do aparelho e compreendam os perigos envolvidos. A limpeza e manutenção pelo utilizador não devem ser realizadas por crianças com idade inferior a 8 anos e sem supervisão. Mantenha o**

aparelho e o cabo fora do alcance de crianças com idade inferior a 8 anos.

- As crianças devem ser supervisionadas para assegurar que eles não brinquem com o aparelho.
- Não toque em superfícies quentes. Utilize as pegas ou os botões.
- Não utilize o aparelho com o cabo ainda enrolado.
- Não introduza o aparelho, a ficha ou o cabo na água.
- Desligue sempre a ficha da tomada eléctrica quando não estiver a usar o aparelho, quando colocar acessórios, quando limpar o aparelho ou quando se produz alguma alteração. Deixe o aparelho arrefecer antes de guardar, remover peças e antes de limpar.
- Para desligar a máquina de café, coloque o interruptor ON/OFF na posição “O” e remova a ficha da tomada.
- Não deixe o cabo pendurado na berma da mesa ou no tampo, nem o coloque em contacto com superfícies quentes.
- Não coloque a máquina de café a funcionar se o cabo eléctrico e/ou a ficha estiverem danificados ou se verificar que o aparelho não funciona correctamente.
- **AVISO –** Tenha cuidado. Não se deixe queimar pelo vapor que está se evaporando pelo filtro do café.
- **Algumas partes do aparelho ficam quentes durante o funcionamento, portanto não toque directamente com as mãos.**
- **AVISO –** Para reduzir o risco de incêndio ou choque eléctrico, não remova nenhuma das tampas. O aparelho não contém peças no interior que possam ser reparadas pelo utilizador. As reparações e mudanças de cabo devem ser realizadas exclusivamente por um técnico qualificado.
- **Este aparelho foi concebido exclusivamente para uso doméstico e no interior da habitação. Não o utilize ao ar livre.**
- Se o cabo de alimentação estiver danificado, deverá ser substituído pelo fabricante, pelo agente autorizado ou por um técnico qualificado, de modo a evitar perigos.

SOMENTE PARA USO DOMÉSTICO

Elementos do aparelho

- | | |
|--------------------------------|-----------------------------|
| 1. Botão ON/OFF | 2. Botão para Café |
| 3. Botão de vapor | 4. Bandeja recolha gotas |
| 5. Base removível para chávena | 6. Botão regulador de vapor |
| 7. Tampa do depósito de água | 8. Depósito de água |
| 9. Aquecedor de chávena | 10. Tubo do vapor |
| 11. Bico para espuma | 12. Saída da caldeira |
| 13. Pega do porta-filtro | 14. Filtro em aço inox |
| 15. Colher e alisador | 16. Porta-filtro |

Antes da Primeira Utilização

- Recomenda-se que lave todos os acessórios da máquina de café antes da primeira utilização. A máquina de café também deve ser lavada depois de um longo período de tempo sem ser utilizada. Consulte as instruções no capítulo "**Limpeza e manutenção**".
- Utilize a máquina como se fosse preparar um café expresso mas sem nenhum café, de modo a lavar todas as partes da máquina de café.
- É normal haver barulho e a água não sair quando a bomba de água funciona pela primeira vez. Rode o regulador de vapor para a esquerda para a posição de abertura para liberar o ar do aparelho. Após cerca de 20 segundos, o barulho vai desaparecer e a água sair.
- Não poderá preparar café expresso se não tiver lavada a máquina no início. O ciclo de lavagem faz com que a caldeira encha de água. Caso não tenha utilizada a máquina por uns dias lava-la com água fresca antes de a usar novamente.

Preparação do café expresso

Para fazer um bom café expresso, recomendamos que pré-aqueça a máquina antes de fazer o café, incluindo o porta-filtro, os filtros e a chávena, para que o sabor do café não possa ser influenciada pelas partes frias.

1. Certifique-se de que todos os botões estão na posição "**OFF**" e que o botão de controlo de vapor está fechado girando no sentido horário.
2. Abra a tampa do depósito e despeje água no seu interior sem deixar que o nível da água ultrapasse o indicador **MAX** do depósito. Em seguida, feche a tampa do depósito.

NOTA: O aparelho é fornecido com um depósito de água removível para facilitar a limpeza, pode primeiro enchê-lo com água, e em seguida, coloca-lo no aparelho.

3. Ligue a ficha à tomada eléctrica e de seguida pressione o botão **ON/OFF** para ligar a máquina. A máquina irá começar a pré-aquecer e a luz azul começará a piscar.
4. Escolha o filtro adequado (filtro grande para 2 chávenas ou o filtro mais pequeno para saqueta) e coloca-lo no porta-filtro.
5. Quando a máquina estiver aquecida e pronta para fazer café, o LED azul deixará de piscar e ficará aceso.
6. Monte o suporte do filtro na máquina posicionando-o sob a saída da caldeira e rodando-o para a direita. Certifique-se de que a pega do porta-filtro fique alinhada com o encaixe do aparelho, em seguida mova para a direita desde a posição "**INSERT**" até à posição "**LOCK**".
7. Coloque uma chávena na base removível, pressione o botão de café e aguarde alguns segundos, em seguida pressione-o novamente para parar o fluxo de água. Despeje a água quente da chávena do processo de pré-aquecimento.
8. Coloque o filtro de café adequado no suporte do filtro. Utilize o filtro para saqueta ou o filtro grande de 2 chávenas para duas chávenas de expresso. Encha o filtro utilizando a colher de medida. Limpe os vestígios de pó de café que possam ter ficado à volta do suporte do filtro. O pó de café não deve exceder o nível máximo do filtro após ter sido pressionado.
9. Posicione o porta-filtro sobre a saída da caldeira e rode-o para a direita até que este pare. Não o force.
10. Coloque a chávena por baixo dos orifícios de saída do porta-filtro.
11. Pressione o botão de café e aguarde que a quantidade certa de café saia em seguida pressione novamente o botão de café para parar o processo.

AVISO: Não deve deixar a máquina sem supervisão durante a preparação de café porque, por vezes, é necessário efectuar operações manualmente.

12. Depois de fazer o café, retire o porta-filtro, bloqueie o filtro através da barra de bloqueio e elimine os resíduos de café.
13. Deixe-os arrefecer completamente e em seguida lave-os em água corrente.

IMPORTANTE

Não pode começar a fazer o café expresso até que a luz de pronto acende porque significa que a temperatura da água não é suficiente. Para evitar fugas de água a partir da borda do porta-filtro e garantir o melhor desempenho, é necessário limpar qualquer café moído de todo o duche da caldeira. Tome cuidado porque a área pode estar quente.

Espuma de leite

Aconselha-se a criar a espuma de leite após o café ter sido preparado, pois a criação da espuma requer uma temperatura mais elevada. Após a formação de espuma é necessário esperar um mínimo de 5 minutos para permitir que o aparelho esfria ligeiramente. Se a temperatura de elaboração for demasiado elevada, o café pode ficar escaldado e ter um sabor e aroma queimado e amargo.

Antes de prepara a espuma garantir que o volume do leite é adequada para o copo. O leite pode dobrar de volume após a formação de espuma, por isso todo o cuidado deve ser tomado ao decidir.

Use um copo resistente ao calor para aquecer o leite. O copo pode ficar muito quente durante a formação de espuma.

1. Ligue o modo de formação de espuma de leite, pressionando o botão de vapor. A luz de controlo LED começa a piscar. Quando a luz fique acesa continuamente o dispositivo está pronto para gerar vapor.
2. Lava o tubo de vapor, girando o botão de vapor no sentido anti-horário. Vapor e um pouco de água sairá a partir do tubo de vapor. Desligue o vapor, girando o botão do vapor para a direita no sentido horário.
3. Mergulhe o tubo de vapor no copo com leite frio e gire o botão de vapor para a esquerda no sentido anti-horário.
4. Para terminar o processo de formação de espuma de leite gire o botão do vapor para a direita no sentido horário. Retire o tubo de vapor do copo com leite. Nunca retire o tubo de vapor para fora do copo, se o botão de vapor não estiver desligado. O vapor quente pode causar lesões e queimaduras.
5. Após a formação de espuma de leite, é aconselhável colocar o tubo de vapor em um copo com água limpa e fria e lavar o sistema. Após o tubo de vapor estar imerso no copo com água, rode o botão de vapor no sentido anti-horário. Depois de alguns segundos, desligue o fluxo de vapor girando o botão do vapor no sentido horário.
6. Desligue o modo de espuma de leite pressionando o botão de vapor.

IMPORTANTE:

- Ao escolher o tamanho do copo, recomenda-se que o diâmetro não seja inferior a 70 ± 5 mm. Note que o volume do leite duplica, pelo que a chávena ou o copo deve ter altura suficiente.
- Nunca rode o comando do vapor rapidamente, pois o vapor irá acumular rapidamente em curto espaço de tempo o que pode aumentar o potencial risco de explosão.

- Se durante a operação a luz azul se extinguir, rode o controlo de vapor para a direita para desligar. Pressione o botão de café e aguarde que a luz azul fique permanentemente iluminada, de seguida rode o controlo de vapor em sentido anti-horário, o vapor irá sair continuamente.
- Limpe imediatamente o bico do vapor com uma esponja molhada e com cuidado para não se feir, depois do vapor deixar de sair.

Preparar Cappuccino

Obtém-se um cappuccino quando se enche uma chávena de café expresso com espuma de leite.

1. Prepare primeiro o café expresso numa chávena ou copo grande o suficiente, conforme as indicações em **“Preparar café expresso”**, certificando-se que o botão de vapor está desligado.
2. Prepare a espuma de leite conforme as instruções em “Espuma de leite”.
3. Despeje a espuma do leite sobre o café expresso já preparado. O cappuccino está pronto. Adoce a gosto e se desejar polvilhe a espuma com um pouco de pó de cacau.

Limpeza e Manutenção

Lavar sistema de água da máquina de café

1. Ligue o dispositivo premindo o botão ON/OFF. A máquina de café vai começar o pré-aquecimento, o LED começará a piscar.
2. Quando a máquina estiver pronta, o LED pára de piscar e fique aceso.
3. Coloque o suporte do filtro no ponto de montagem. Para lavar o sistema de água da máquina de café, pressione o "botão de café" e aguarde alguns segundos, em seguida, pressione-o novamente o para fechar o fluxo da água.

Limpeza regular após cada utilização

1. Desligue o cabo de alimentação da tomada e deixe-o arrefecer completamente antes de o limpar.
2. Limpe a estrutura do dispositivo com um pano húmido e regularmente o depósito de água, o tabuleiro de recolha de água e a base removível sob água quente da torneira.

Nota: Não limpe com álcool ou solventes. Nunca mergulhe a máquina em água para efectuar a limpeza.

3. Retire o porta-filtro rodando-o no sentido contrário ao dos ponteiros do relógio e, em seguida, elimine os resíduos de café e limpe o suporte com um pano. Enxágue as peças com água da torneira após a limpeza.
4. Seque todas as peças depois de as limpar cuidadosamente.

Eliminar depósitos minerais

Para assegurar que a máquina de café funcione correctamente, deve remover os depósitos minerais a cada 2 ou 3 meses. Para isso:

1. Encha o depósito com água e descalcificante até ao limite MAX (proporção de água/descalcificante: 4:1). Consulte as instruções detalhadas do descalcificante. Utilize um "descalcificante doméstico". Pode também usar o ácido cítrico em vez do descalcificante com uma proporção de 3 partes de água e 1 de ácido cítrico.
2. Faça funcionar o aparelho durante dois ciclos seguindo os passos normais de preparação de café expresso e espuma de leite, enxaguando depois o dispositivo com a mistura de água e descalcificante.
3. Após isso, e para eliminar quaisquer vestígios de ácido cítrico ou descalcificante, faça-a funcionar por mais dois ciclos, mas apenas com água.

Características técnicas

Modelo:	CM-85B.006A
Alimentação da corrente:	220-240V~, 50 Hz
Consumo de energia:	850W
Classe de protecção:	I

Conformidade CE



Este aparelho foi controlado nos termos das actuais directivas da CEE aplicáveis, tais como inocuidade electromagnética e directiva sobre baixa tensão, e fabricado de acordo com as mais novas prescrições da segurança técnica.

Este aparelho foi concebido, fabricado e distribuído em conformidade com as seguintes directivas:

- Directiva de Baixa Tensão 2014/35/EU – Segurança;
- Directiva EMC 2014/30/EU – Compatibilidade Electromagnética.
- Directiva RoHS 2011/65/EU
- Requisitos da directiva 93/68/EEC

Este aparelho está concebido para entrar em contacto com alimentos e está em conformidade com a Directiva da CE 1935/2004/EEC

A segurança eléctrica do artigo está assegurada apenas quando estiver correctamente ligado a uma eficiente instalação à terra segundo as normas legais.

Eliminação – Política ambiental

Embalagem



A embalagem é constituída por material inteiramente reciclável e está marcada com o símbolo de reciclagem. Para a eliminação, respeite as normas locais. Os materiais de embalagem (sacos de plástico, pedaços de poliestireno, etc.) devem ser mantidos fora do alcance das crianças dado que constituem potenciais fontes de perigo.

Eliminação

Este aparelho está classificado de acordo com a Directiva Europeia 2012/19/EU sobre Resíduos de equipamento eléctrico e electrónico (CEE).



Ao garantir a eliminação adequada deste produto, estará a ajudar a evitar potenciais consequências negativas para o ambiente e para a saúde pública, que poderiam derivar de um manuseamento de desperdícios inadequado deste produto.

Este símbolo no produto, ou nos documentos que acompanham o produto, indica que o aparelho não pode ser tratado como lixo doméstico. Pelo contrário, deve ser entregue no ponto de recolha para a reciclagem de equipamento eléctrico e electrónico.

A eliminação deve ser efectuada de acordo com as normas ambientais locais para a deposição de resíduos. Para obter informações mais detalhadas sobre o tratamento, a recuperação e reciclagem deste produto, entre em contacto com o departamento local, o serviço de recolha de lixo ou a loja onde adquiriu o produto.

Declaração de Garantia

Para direitos de garantia respeitantes à eliminação dos defeitos (direito legal), estes deverão ser dirigidos aos nossos parceiros comerciais (revendedores autorizados). Além disso o distribuidor assume a seguinte garantia do fabricante:

1. Para este equipamento, o fabricante assume uma garantia de 24 meses (*) de acordo com as condições abaixo descritas e a partir da data de compra que será comprovada através da factura original, recibo de compra ou de um outro documento similar.
2. Os direitos de garantia deverão ser adquiridos junto ao revendedor onde o aparelho foi adquirido.
3. A garantia cobre a rectificação de qualquer dano ou defeito do equipamento durante o período do mesmo e que demonstre ser devido a defeitos de material ou de fabricação.
4. A garantia não cobre danos e defeitos resultantes de instalações e manipulações incorrectas, de não respeito pelas instruções de

programação e de utilização, ou de força maior. A garantia voluntária não cobre a instalação e programação por parte do revendedor. Em particular, não poderão ser aceites reclamação para instalação e programação gratuita por parte do revendedor. A garantia voluntária não cobre deficiências que prejudicam de forma insignificante o funcionamento do aparelho. Outros custos, tais como a instalação, transporte e deslocação do técnico estão expressamente excluídos da garantia.

5. O distribuidor reserva o direito, se assim o entender, de substituir por outro equivalente em vez de o reparar. Reclamações futuras não serão aceites. Após a troca ou reparação, todos os dados armazenados serão perdidos.
6. A garantia não será validada se forem efectuadas alterações ao equipamento, ou quando o equipamento for utilizado em países para o qual não foi desenvolvido nem fabricado.
7. A aplicabilidade da garantia pressupõe que o aparelho seja enviado completo, protegido contra roturas e choques (se possível na sua embalagem original) e acompanhado da respectiva garantia.
8. Se após a verificação se concluir que não existem motivos para a reclamação, ou que não apresenta defeitos, os custos respeitantes serão imputados ao cliente. O revendedor está autorizado a cobrar estes custos ao cliente.
9. Todos os serviços resultantes da garantia voluntária, não renovam o período da mesma nem iniciam um novo período de validade.
10. Os direitos de garantia legal do consumidor final não estão excluídos nem restritos por esta declaração independente do fabricante.

O cliente goza de todas as garantias previstas na Directiva 1999/44/CE do Parlamento Europeu e do Conselho, de 25 de Maio.

(*) Apenas para países da União Europeia

Estimado cliente

Gracias por elegir un producto Haeger.

Haeger productos están diseñados para el bienestar de los consumidores, haciendo hincapié en los más altos estándares de calidad, funcionalidad y diseño. Estamos seguros de su satisfacción con la compra de este producto.

Suponemos que el usuario tiene conocimientos generales sobre el manejo de los aparatos eléctricos.

Lea con atención y, en su totalidad, las instrucciones de uso y seguridad y familiarícese con las funciones del aparato antes de la primera puesta en marcha. Conserve las instrucciones y entréguelas con el aparato si lo transfiriera a terceros.

Uso adecuado

La cafetera sirve únicamente para la preparación de café. Esta cafetera está destinada únicamente al uso doméstico privado. Tenga en cuenta toda la información contenida en este manual de instrucciones, en especial, las indicaciones de seguridad. Cualquier otro uso se considera como no conforme al previsto y puede provocar daños materiales e incluso personales. No se asumirá la responsabilidad por daños producidos por un uso no conforme al previsto.

Indicaciones generales de seguridad

Por favor, lea este manual, ya que contiene información importante acerca de los procedimientos de seguridad, uso y mantenimiento. Guárdelo en un lugar seguro para referencia futura.

- Después de retirar todo el material de embalaje, asegúrese de que el dispositivo no ha sido dañado durante el transporte. En caso de duda, no lo use, el primer contacto con su distribuidor o llevarlo al lugar de compra.
- Antes de enchufar el aparato a la red, asegúrese de que el voltaje se corresponde con el indicado en la placa de características. Es obligatorio disponer de una toma de tierra.
- Coloque la cafetera sobre una superficie plana, alejada del borde de la mesa o encimera, para evitar que pueda caerse por accidente.

- **Este dispositivo puede ser utilizado por niños de 8 y más años si están bajo supervisión o se les han dado instrucciones relacionadas con el uso seguro del dispositivo y entienden los peligros que conlleva. La limpieza y el mantenimiento del usuario no deben ser realizados por niños menores de 8 años, y en este caso con supervisión. Mantenga el aparato y el cable fuera del alcance de niños menores de 8 años.**
- Los niños deben ser supervisados para asegurarse de que no jueguen con el aparato.
- No toque las superficies calientes. Utilice las asas o los botones.
- No utilice el aparato con el cable enrollado.
- No introduzca el aparato, el enchufe o el cable en agua.
- Desconecte el enchufe de la toma eléctrica cuando no esté utilizando el aparato, para la colocación de accesorios, al limpiar el aparato o siempre que se produzca alguna alteración. Déjelo enfriar antes de guardarlo, quitar piezas y limpiarlo.
- Para apagar la cafetera, ponga el interruptor ON/OFF en la posición "O", y desenchúfela.
- No deje el cable colgando del borde de la mesa o encimara, ni lo ponga en contacto con superficies calientes.
- No encienda la cafetera si el cable o el enchufe están dañados o si observa que no funciona correctamente.
- **ADVERTENCIA** – No retire la tapa con la cafetera en funcionamiento.
- **Algunas partes del aparato están calientes cuando funcionan, por lo que no se tocan con la mano directamente.**
- **ADVERTENCIA** – Para evitar el riesgo de descargas eléctricas o incendios, no retire ninguna de las tapas. No hay piezas en el interior que puedan ser reparadas por el usuario. Las reparaciones y cambios de cable deberán ser realizadas exclusivamente por un Servicio Técnico Autorizado.
- **Este aparato ha sido diseñado para uso doméstico. Sólo para uso en interiores. No utilice al aire libre.**
- Si el cable de alimentación está dañado debe ser sustituido. Para ello, y evitar peligros, diríjase al fabricante, a un servicio técnico autorizado o a un profesional cualificado.

SOLAMENTE PARA USO DOMÉSTICO

Indicación de los componentes

- | | |
|----------------------------------|-----------------------------------|
| 1. Botón Encendido / Apagado | 2. Botón de Café |
| 3. Botón del vapor | 4. Bandeja recogegotas |
| 5. Soporte para las tazas | 6. Regulador de vapor |
| 7. Tapa de depósito de agua | 8. Depósito de agua (desmontable) |
| 9. Calienta tazas | 10. Boquilla de vapor |
| 11. Dispositivo de la espuma | 12. Salida de la caldera |
| 13. Mango del filtro | 14. Filtro de acero inoxidable |
| 15. Cuchara dosificadora y pisón | 16. Porta-filtro |

Antes del primer uso

- Se recomienda enjuagar la cafetera antes de la primera utilización. La máquina de café también se debe enjuagar después de un período más largo de tiempo sin uso. Consulte las instrucciones en el capítulo "**Limpieza y mantenimiento**".
- Haga funcionar el aparato como si fuera a preparar un café expreso, pero sin café, sólo con agua, para limpiar todas las partes internas de la cafetera.
- Puede que haya un ruido y que no salga agua cuando se bombee el agua la primera vez, es lo normal, usted debe girar el regulador de vapor hasta la posición de apertura para sacar el aire del interior del aparato. Después de unos 20 segundos, el ruido desaparecerá y el agua saldrá.
- No es posible preparación de café si no se ha vaciado la máquina en un primer momento; el ciclo de descarga hace que la caldera se llene con agua. Si usted no ha utilizado la máquina durante unos días, hay que lavarlo con agua fresca antes de usarla de nuevo.

Preparar café expreso

Para hacer una taza de buen café expreso caliente, recomendamos que caliente previamente la maquina antes de hacer café, incluido el porta-filtro y la taza, para que las piezas frías no influyan en el sabor del café

1. Asegúrese de que todos los botones están en la posición "OFF", y que la perilla de control de vapor está cerrada girando en sentido horario
2. Abra la tapa del depósito y vierta agua en él, el nivel del agua no debe superar la marca "**MAX**" en el tanque. A continuación, cierre la tapa del depósito de agua.

NOTA: El aparato se suministra con un tanque desmontable para facilitar la limpieza, puede llenar el tanque con agua en primer lugar, y luego poner el tanque en el aparato.

3. Enchufe a la fuente de alimentación y encienda el dispositivo pulsando el botón ON/OFF. La cafetera comenzará a pre-calentar y el LED azul parpadeará.
4. Seleccione el filtro adecuado (para dos tazas o para saqueto) y ponerlo en el soporte del filtro.
5. Cuando la cafetera está lista, el LED dejará de parpadear y brillo de forma continua.
6. Sostenga la porta-filtro (sin café) por debajo de la salida de la caldera y girarla en sentido horario. Asegúrese de que el mango de la porta-filtro se alinea con la ranura del aparato, a continuación, se mueva hacia la derecha de la posición "INSERT" a la posición "LOCK".
7. Coloque una taza en el estante desmontable y pulse el botón de café y esperar unos segundos, a continuación, pulse de nuevo el botón de café para cerrar el flujo del agua. Vierta el agua caliente en la taza de proceso de precalentamiento.
8. Coloque dentro del porta-filtros el filtro pequeño para saqueto o el filtro largo para preparar 2 tazas de café expreso. Llene el filtro usando la cuchara dosificadora de café. Limpie los restos de café que hayan podido quedar en el borde del porta-filtros. El café en polvo no debe sobrepasar el nivel máximo del filtro después de compactarse.
9. Coloque el porta-filtros en su alojamiento. Gire el porta-filtros hacia la derecha hasta notar el tope. No-lo fuerce.
10. Coloque las tazas debajo de las salidas del soporte del filtro.
11. Pulse el botón de café y esperar a que la cantidad correcta de café salga en las copas a continuación, pulse de nuevo el botón de café.

ADVERTENCIA: no deje la cafetera sin supervisión mientras se prepara el café, ya que a veces es necesario accionarla manualmente.

12. Después de terminar de preparar el café, usted puede sacar la porta-filtro, bloquee el filtro por la barra de bloqueo y verter el residuo de café.
13. Deje que se enfríe por completo, luego enjuague con agua corriente.

IMPORTANTE

No se puede empezar a hacer café expreso hasta que la luz de preparado se encienda porque significa que la temperatura del agua no es suficiente. Para evitar fugas de agua desde el borde del soporte del filtro y para garantizar un rendimiento óptimo, es necesario borrar cualquier café molido alrededor de la salida de la caldera. Tenga cuidado ya que la zona puede estar caliente.

Preparar Espuma de leche

Se recomienda preparar la espuma de leche después de que el café había sido preparado mientras la formación de espuma requiere una temperatura más alta. Después de espuma de leche, es necesario esperar un mínimo de 5 minutos para permitir que el dispositivo se enfríe ligeramente. Si la temperatura de elaboración es demasiado alta, el café se puede escaldar que hará que el café tenga un sabor y aroma quemado y amargo.

Antes de la formación de espuma garantizar el volumen de la leche es adecuada en la taza. La leche se puede duplicar en volumen después de la formación de espuma, por lo que se debe tener cuidado al momento de decidir.

Use una taza resistente al calor para espumar la leche. La copa puede hacer mucho calor durante la formación de espuma.

1. Activar el modo de espuma de leche al presionar el interruptor de vapor. La luz de control LED comenzará a parpadear. Cuando la luz comienza a brillar de forma continua el dispositivo está listo para generar vapor.
2. Enjuague el tubo de vapor girando el mando del vapor en sentido anti-horario. De vapor y un poco de agua provendrán del tubo de vapor. Apagar el vapor girando el mando del vapor hacia la derecha en sentido horario.
3. Sumergir el tubo de vapor en la taza con leche fría y gire el mando de vapor a la izquierda en sentido anti-horario.
4. Para finalizar el proceso de espuma de leche gire el mando del vapor en sentido horario. Sacar el tubo de vapor de la taza con leche. Nunca tome el tubo de vapor de agua fuera de la taza si el mando del vapor no se apaga. El vapor caliente puede causar lesiones y quemaduras.
5. Después de espuma de leche se aconseja poner el tubo de vapor en una taza con agua fría y limpia y enjuagar el sistema. Después de que el tubo de vapor se encuentra inmersa en la taza con agua gire el mando del vapor en sentido anti-horario. Después de unos segundos, apague el flujo de vapor girando el mando del vapor en sentido horario.
6. Desactiva el modo de espuma de leche presionando el interruptor de vapor.

IMPORTANTE:

- A la hora de elegir el tamaño de la jarra recomendamos utilizar una que tenga un diámetro de 70 ± 5 mm. Tenga en cuenta que la leche aumenta de volumen 2 veces, por lo que debe asegurarse de que la taza sea bastante alta.

- Nunca gire el botón de control de vapor rápidamente, ya que el vapor se acumula rápidamente en poco tiempo lo que puede aumentar el potencial del riesgo de explosión.
- Durante la operación, si el indicador azul se extingue, debe girar el control de vapor a la derecha. Pulse el interruptor de café, y luego esperar a que la luz azul se ilumina de forma permanente y después gire la perilla de control de vapor en sentido anti-horario, el vapor saldrá de nuevo.
- Limpie la boquilla de vapor inmediatamente después de cada uso; tenga cuidado de no quemarse.

Preparar Capuchino

Podrá obtener un capuchino si completa la parte de superior de una taza de expreso con espuma de leche.

1. Preparar primero el café expreso en el contenedor lo suficientemente grande de acuerdo con la parte de "**Preparar Café Expreso**"; asegurándose de que la perilla de control de vapor está en la posición apagado.
2. Preparar ahora la espuma de leche como se indica en el capítulo "Preparar espuma de leche".
3. Vierta la leche emulsionada en las expreso preparadas; ahora el capuchino está listo. Endulzar al gusto y si se desea, espolvorear la espuma con un poco de cacao en polvo.

Limpieza y Mantenimiento

Enjuague el sistema de agua de la máquina de café

1. Encienda el dispositivo pulsando el interruptor de encendido / apagado. La cafetera comenzará a precalentar, el LED parpadeará.
2. Cuando la cafetera está lista, el LED deja de parpadear y se enciende fijo.
3. Coloque el soporte del filtro en el punto de montaje para enjuagar el sistema de agua de la máquina de café. Presione el botón de café y esperar unos segundos, a continuación, pulse de nuevo el botón para cerrar el flujo del agua.

La limpieza regular después de cada uso

1. Desenchufe el aparato y déjelo enfriar completamente antes de proceder a su limpieza.
2. Limpie la carcasa del dispositivo con un paño humedecido. Limpie el depósito de agua, la bandeja recoge-gotas y la repisa desmontable debajo de agua corriente templada.

NOTA: No limpie con alcohol o un limpiador disolvente. Nunca sumerja la carcasa en agua para la limpieza.

3. Separe la porta-filtro girándolo en sentido horario y, a continuación, deseche los residuos de café y limpie la porta-filtro con un limpiador; asegúrese de enjuagar las piezas con agua limpia después de limpiarlas.
4. Seque todas las piezas después de limpiarlas a fondo.

Limpeza de los depósitos minerales

1. Para cerciorarse de que su cafetera funciona de manera eficaz, debe retirar los depósitos minerales que se acumulan cada 2-3 meses. Para hacer esto:
2. Llene el tanque con agua y descalcificador al nivel MAX (la escala de agua y descalcificador es de 4: 1; el detalle se refiere a la instrucción del descalcificador. Utilice "descalcificador del hogar". Usted puede utilizar el ácido cítrico (que puede obtenerse en las farmacias o droguerías) en lugar del descalcificador (la relación es de tres partes de agua y una parte de ácido cítrico).
3. Haga funcionar el aparato durante dos ciclos siguientes los pasos para hacer café expreso y espuma de leche y lave el aparato con la mezcla de agua/descalcificador.
4. Después de esto, y para eliminar cualquier rastro de desincrustante o ácido cítrico, operar la máquina de café durante dos ciclos más, pero sólo con agua.

Datos técnicos

Modelo:	CM-85B.006A
Suministro de tensión:	220-240V~, 50 Hz
Consumo de energía:	850W
Clase de protección:	I

Conformidad CE



Este aparato se ha examinado según las normativas actuales y vigentes de la Comunidad Europea, y se ha construido según las más nuevas especificaciones en razón de la seguridad.

Este dispositivo fue diseñado, fabricado y distribuido de acuerdo con las siguientes directivas:

- Directiva de Baja Tensión 2014/35/EU – Seguridad;
- Directiva EMC 2014/30/EU – Compatibilidad Electromagnética.
- Directiva RoHS 2011/65/EU
- Exigencia de la directiva 93/68/CE

Este aparato se ha diseñado para entrar en contacto con alimentos y se ha diseñado de acuerdo con la Directiva 1935/2004/EEC.

La seguridad eléctrica del aparato sólo se asegura mediante una toma de tierra según la normativa vigente.

Disposición – La política ambiental

Embalaje



El material de embalaje es totalmente reciclable, como lo indica el símbolo correspondiente. Para su eliminación, respete las normas locales. No deje el material de embalaje (bolsas de plástico, trozos de poliestireno, etc.) al alcance de los niños; puede ser peligroso.

Eliminación

Este aparato lleva el marcado CE en conformidad con la Directiva 2012/19/EU del Parlamento Europeo y del Consejo sobre residuos de aparatos eléctricos y electrónicos (RAEE).

La correcta eliminación de este producto evita consecuencias negativas para el medioambiente y la salud.



Este símbolo en el producto o en los documentos que acompañan el producto, indica que este aparato no puede ser tratado como residuos domésticos. Es su lugar se debe entregar al punto de recogida para el reciclaje de equipos eléctricos y electrónicos.

■ Para eliminación debe realizarse de conformidad con las normas medioambientales para eliminación de residuos. Entrégalo a un vertedero autorizado, no lo deje ni siquiera por unos días, ya que es potencialmente peligroso para los niños.

Para obtener información más detallada sobre el tratamiento, recuperación y reciclaje de este producto, póngase en contacto con el ayuntamiento, su servicio de desechos del hogar o la tienda donde adquirió el producto.

Declaración de Garantía

En la medida que se trate de derechos de eliminación de deficiencias (regulación legal), éstos deben ser llevados a cabo a través de la otra parte contratante (comercio especializado). Además, el distributor asuma la siguiente garantía del fabricante:

1. El fabricante asume una garantía de 24 meses (*) para este aparato, según las condiciones estipuladas a continuación, comenzando en la fecha de compra estipulada en la factura original u otros documentos.
2. La solicitud de prestaciones en garantía se debe hacer a través del comercio especializado.

3. La garantía voluntaria abarca la reparación de todos los daños o defectos del aparato, cuando se estableciera que están causados por fallos de material o de fabricación.
4. La garantía voluntaria no incluye los casos de daños o defectos debidos a la conexión incorrecta, manejo incorrecto o no observación de las instrucciones de programación y de uso y fuerza mayor. La garantía voluntaria no incluye trabajos de instalación o programación del comercio especializado. Sobre todo no existe ningún derecho a trabajos de instalación y de programación gratuitos que deba realizar el comerciante especializado. La garantía voluntaria no abarca aquellos defectos que apenas afecten el valor o la utilidad del aparato. Quedan excluidos de la garantía voluntaria expresamente otros costes, como p. ej. de instalación y desplazamiento.
5. El distributor puede optar a la sustitución por un aparato equivalente en lugar de la reparación. No se admiten otras demandas de indemnización. Los datos guardados en el equipo se han perdido después de reparación o cambio.
6. La garantía voluntaria queda sin validez cuando se hubieran realizado modificaciones del producto o el producto es utilizado en un país para el cual no fue desarrollado y fabricado.
7. La prestación de la garantía voluntaria presupone que el producto se envía completamente al fabricante en un embalaje a prueba de golpes y roturas (si es posible, en el embalaje original), junto con el comprobante de garantía del comercio especializado.
8. Si el examen determinase que no se está ante un caso de garantía o que el producto no presenta fallos, los gastos de reparación y comprobación correrán a cargo del abonado. El distributor que lleva a cabo los trabajos que resulta de la garantía voluntaria tiene el derecho de enviar una cuenta por los costes resultantes.
9. Las prestaciones en la garantía voluntaria no implican una prolongación del período de garantía ni inician un nuevo período de la garantía voluntaria.
10. Los derechos legales de garantía del cliente final no son recortados ni excluidos debido a esta declaración libre de garantía de parte del fabricante.

El cliente disfruta de todas las garantías previstas en la Directiva 1999/44/CE del Parlamento Europeo y del Consejo, de 25 de mayo.

(*) Solo para países de la Unión Europea

Cher Client

Merci d'avoir choisi un produit Haeger.

Les produits Haeger sont conçus pour le bien-être du consommateur, en insistant sur les plus hauts standards de qualité, de fonctionnalité et de design. Nous sommes certains de leur satisfaction à l'achat de ce produit.

Nous supposons que l'utilisateur détient des connaissances générales sur l'emploi des appareils électroménagers.

Avant la première mise en service, lisez attentivement le présent mode d'emploi et les instructions de sécurité et familiarisez-vous avec les fonctions de l'appareil. Conservez le présent mode d'emploi et le cas échéant, transmettez-le à des tiers.

Usage conforme

La cafetière sert exclusivement à la préparation de café. Cette cafetière électrique est exclusivement réservée à l'utilisation dans le cadre domestique. Veuillez respecter toutes les informations contenues dans ce mode d'emploi, en particulier les consignes de sécurité. Toute autre utilisation est considérée comme non conforme et peut conduire à des dommages matériels, voire à des accidents. Toute responsabilité est exclue pour des dommages résultant d'une utilisation non conforme.

Conseils généraux de sécurité

S'il vous plaît lire ce manuel car il contient des informations importantes sur la sécurité, l'utilisation et l'entretien de votre appareil. Conservez-la dans un endroit sûr pour référence future.

- Après avoir enlevé l'emballage, assurez-vous que l'appareil est intact. En cas de doute, ne pas utiliser, s'il vous plaît contacter votre revendeur ou le pendre au lieu de l'achat.
- Avant de brancher la machine à café dans l'alimentation secteur, vérifiez que la tension correspond à celle indiquée sur la plaque des caractéristiques. Il est obligatoire une prise de terre.
- Placez la cafetière sur une surface plane, loin du bord de la surface de travail pour l'empêcher de tomber accidentellement.
- **Cet appareil peut être utilisé par des enfants de plus de 8 ans s'ils sont surveillés ou ont été informés de la bonne utilisation de l'appareil et s'ils comprennent les risques encourus. Le nettoyage et l'entretien par l'utilisateur ne peuvent pas être effectués par les**

enfants à moins qu'ils soient âgés de plus de 8 ans et supervisés. Conservez l'appareil et son cordon hors de portée des enfants de moins de 8 ans.

- Les enfants doivent être surveillés pour s'assurer qu'ils ne jouent pas avec l'appareil.
 - Ne pas toucher les surfaces chaudes. Utilisez les poignées ou les boutons.
 - Ne pas faire fonctionner l'appareil avec le cordon enroulé.
 - Ne pas immerger l'appareil, la fiche ou le cordon dans l'eau.
 - Toujours retirer la fiche de la prise lorsque l'appareil n'est pas utilisé, lors de la fixation des pièces accessoires, nettoyage de l'appareil ou chaque fois que se produit une perturbation. Laissez-le refroidir avant de le ranger ou de retirer des pièces et avant de le nettoyer.
 - Pour éteindre la cafetière, mettre le commutateur ON / OFF à "0" et débranchez l'appareil.
 - Ne laissez pas le câble pendre sur le bord de la table de travail-dessus, ou entrer en contact avec des surfaces chaudes.
 - Ne mettez pas l'appareil si le câble ou la fiche est endommagée ou si elle peut être détecté que l'appareil ne fonctionne pas correctement.
- **ATTENTION** – Soyez prudent ! Ne vous brûlez pas avec la vapeur du filtre à café.
- **Certaines parties de l'appareil sont chauds lorsqu'il est actionné, alors ne touchent pas directement avec la main.**
- **ATTENTION** – Pour éviter tout risque de choc électrique ou d'incendie, ne pas retirer les couvercles. Il ne contient pas de pièces à l'intérieur qui peuvent être réparés par l'utilisateur. Réparations et raccords doivent être effectués par un fournisseur de services autorisé.
- **Cet appareil a été conçu exclusivement pour un usage domestique et pour une utilisation en intérieur. Ne pas utiliser à l'extérieur.**
- Si le cordon d'alimentation est endommagé, il doit être remplacé par le fabricant, son agent de service ou une personne qualifiée afin d'éviter tout danger.

Uniquement pour usage à la maison

Description des différentes parties de l'appareil

- | | |
|--|--------------------------------------|
| 1. Interrupteur marche/arrêt | 2. Bouton pour café |
| 3. Bouton pour vapeur | 4. Récupère-goutte |
| 5. Plateau repose-tasses amovible | 6. Régulateur de vapeur |
| 7. Couvercle do réservoir | 8. Réservoir à eau (détachable) |
| 9. Plateau chauffe-tasse | 10. Buse vapeur |
| 11. Dispositif de mousse | 12. Bouche de sortie de la chaudière |
| 13. Poignée de porte-filtre | 14. Filtre en acier inoxydable |
| 15. Cuillère-doseur et tampon à tasser | 16. Porte filtre |

Avant la première utilisation

- Il est recommandé de rincer la cafetière avant la première utilisation. La machine à café doit également être rincée après une longue période de temps sans l'utilisation. Reportez-vous à l'instruction dans la "Nettoyage et entretien" chapitre.
- Faites fonctionner la cafetière comme si vous prépariez un expresso mais sans ajouter de café, de manière à ce que l'eau circule dans toutes les pièces de la cafetière.
- Il est possible que vous entendiez un bruit et que l'eau ne s'écoule pas lorsque vous pompez de l'eau pour la première fois. Ceci est normal, vous devez tout d'abord positionner le régulateur de vapeur sur la position ouverte pour libérer l'air contenu à l'intérieur de l'appareil. Le bruit disparaît au bout d'environ 20 secondes et l'eau commence à s'écouler.
- Vous ne pouvez pas brasser expresso si vous ne l'avez pas vidé la machine d'abord; le cycle de chasse d'eau provoque la chaudière pour remplir d'eau. Si vous ne l'avez pas utilisé la machine pendant quelques jours, vous devez le rincer à l'eau douce avant de l'utiliser à nouveau.

Préparation d'un café expresso

Pour préparer une bonne tasse de café expresso, nous vous recommandons de préchauffer l'eau de la cafetière avant l'infusion, y compris le porte-filtre et la tasse, de façon à ce que la saveur du café ne soit pas altérée par des éléments froids.

1. Assurez-vous que tous les boutons sont en position «**OFF**» et que le bouton de commande de vapeur est fermé en tournant dans le sens horaire.
2. Ouvrez le couvercle du réservoir et versez l'eau en elle, le niveau d'eau ne doit pas dépasser la marque "**MAX**" dans le réservoir. Ensuite, fermez le couvercle du réservoir d'eau.

Remarque: L'appareil est livré avec un réservoir amovible pour un nettoyage facile, vous pouvez remplir le réservoir avec de l'eau d'abord, puis mettez le réservoir dans l'appareil.

3. Branchez à la source d'alimentation et mettez l'appareil en appuyant sur l'interrupteur ON / OFF. La machine à café va commencer à pré-chauffer et la LED bleue clignote.
4. Choisir le bon filtre (pour deux tasses ou pod) et le mettre dans le porte-filtre.
5. Quand une machine à café est prête, le voyant cesse de clignoter et brille en continu.
6. Tenez le porte-filtre en dessous de la sortie de la chaudière et tournez à droite. Assurez-vous que la poignée du porte-filtre aligne avec rainure dans l'appareil, puis déplacez-le vers la droite de la position "**INSERT**" à la position "**LOCK**".
7. Placez une tasse sur le plateau amovible et appuyez sur le bouton pour café et attendez quelques secondes, puis appuyez sur le même bouton à nouveau pour fermer l'écoulement de l'eau. Versez l'eau chaude dans la tasse de processus de préchauffage.
8. Placez le filtre à café approprié dans le porte-filtre. Utilisez le petit filtre pour une tasse d'expresso ou le grand filtre 2 tasses pour deux tasses d'expresso. Remplissez le filtre en utilisant la cuillère de mesure. Retirez le café ayant pu se déposer sur le bord du filtre. La poudre de café ne doit pas dépasser le niveau maximal dans le filtre après avoir été pressée.
9. Placez le porte-filtre dans son compartiment. Tournez le porte-filtre de manière circulaire jusqu'à ce qu'il arrive en fin de course. Ne forcez pas.
10. Placez une tasse à café expresso sur le plateau amovible.
11. Appuyez sur bouton pour café et attendre la bonne quantité de café à verser dans les tasses, puis appuyez sur le bouton pour café à nouveau.

Remarque: ne pas laisser la cafetière électrique sans surveillance lors de la préparation d'un café, il sera parfois nécessaire de réaliser des opérations manuelles.

12. Après avoir préparé du café, veuillez retirer le porte-filtre, bloquer le filtre et éliminer les résidus de café
13. Laisser refroidir complètement, puis rincer à l'eau courante.

AVIS IMPORTANT

Vous ne pouvez pas commencer à faire un expresso jusqu'à ce que la lumière brille prêt parce que cela signifie que la température de l'eau ne suffit pas. Pour éviter les fuites d'eau à partir du bord du porte-filtre et pour assurer une performance optimale, il est nécessaire d'effacer tout café moulu autour de la sortie de la chaudière. Prenez soin que la zone peut être chaude.

Préparation de lait moussé

Il est conseillé de faire mousser le lait après le café avait été préparé comme mode de moussage de lait nécessite une température plus élevée. Après moussage de lait, il est nécessaire d'attendre un minimum de 5 minutes pour permettre au dispositif de se refroidir légèrement. Si la température de la brasserie est trop élevée, le café peut être grondé qui fera le café d'avoir un goût et l'arôme brûlé et amer.

Avant de faire mousser le volume de veiller à ce que le lait est suffisant pour la coupe. Le lait peut doubler de volume après avoir fait mousser, si les soins doivent être pris au moment de décider.

Utilisez une tasse résistant à la chaleur pour la production de mousse de lait. La coupe peut être très chaude pendant le moussage.

1. Activez le mode de moussage de lait en appuyant sur l'interrupteur de vapeur. Le voyant de contrôle LED commence à clignoter. Quand la lumière commence à briller en permanence le dispositif est prêt à produire de la vapeur.
2. Rincer le tube à vapeur en tournant le bouton de vapeur dans le sens antihoraire. La vapeur et l'eau viendront de la buse vapeur. Éteignez la vapeur en tournant le bouton de vapeur vers la droite dans le sens horaire.
3. Immerger le tube de vapeur d'eau dans la tasse avec du lait froid et tournez le bouton de vapeur vers la gauche dans le sens antihoraire.
4. Pour terminer le processus de moussage de lait tourner le bouton de vapeur dans le sens horaire. Prenez le tube à vapeur de la tasse avec du lait. Ne prenez jamais le tube à vapeur de la tasse si le bouton de vapeur ne soit pas éteint. La vapeur chaude peut causer des blessures et des brûlures.
5. Après moussage du lait, il est conseillé de mettre le tube de vapeur d'eau dans une tasse d'eau froide propre et rincer le système. Après que le tube à vapeur est immergé dans la tasse avec de l'eau tourner le bouton de vapeur dans le sens antihoraire. Après quelques secondes, coupez le débit de vapeur en tournant le bouton de vapeur dans le sens horaire.
6. Désactivez le mode de moussage de lait en appuyant sur le commutateur de vapeur.

IMPORTANT:

- Pour bien choisir le bol, nous vous recommandons d'utiliser un bol avec un diamètre de 70±5mm et gardez à l'esprit que le lait augmente de 2 fois de volume, vérifiez que la tasse est assez grande.
- Ne jamais tourner le bouton de commande de la vapeur rapidement, comme la vapeur va accumuler rapidement en peu de temps ce qui peut augmenter le potentiel du risque d'explosion.

- Pendant le fonctionnement, si le voyant bleu est éteint, vous devez tourner la commande de vapeur vers la droite. Appuyez sur le bouton de café, puis attendez jusqu'à ce que la lumière bleue soit allumée en permanence et tourner le bouton de contrôle de la vapeur dans le sens antihoraire, la vapeur va sortir à nouveau.
- Nettoyez immédiatement la buse à vapeur après son utilisation, veuillez faire attention à ne pas vous brûler.

Préparation d'un cappuccino

Vous obtenez une tasse de cappuccino lorsque vous versez du lait mousseux sur le café expresso.

1. Préparer le café expresso abord avec récipient assez grand selon la partie "Préparation d'un café expresso"; assurez-vous que le bouton de commande de vapeur est éteint.
2. Faire mousser le lait comme indiqué dans « Préparation de lait mousseux ».
3. Verser le lait émulsionné dans les expresso préparés; maintenant le cappuccino est prêt. Sucrez au goût et, si désiré, saupoudrer la mousse avec un peu de poudre de cacao.

Nettoyage et entretien

Rincer le système d'eau de la machine à café

1. Allumez l'appareil en appuyant sur l'interrupteur Marche / Arrêt. La machine à café va commencer à préchauffer, le LED clignote.
2. Lorsque la machine à café est prêt, le voyant cesse de clignoter et s'allume constant.
3. Placez le porte-filtre dans le point de montage pour rincer le système d'eau de la machine à café. Appuyez sur le bouton de café et attendez quelques secondes, puis appuyez à nouveau pour fermer l'écoulement de l'eau.

Nettoyage régulier après chaque utilisation

1. Débranchez l'appareil et laissez-le refroidir complètement avant le nettoyage.
2. Nettoyez le boîtier de l'appareil avec un chiffon humide. Nettoyez régulièrement le réservoir d'eau, le tiroir d'égouttement et le plateau amovible sous l'eau chaude courante.

REMARQUE: Ne pas nettoyer avec de l'alcool ou un nettoyant solvant. Ne jamais plonger le boîtier dans l'eau pour le nettoyage.

Français

3. Démontez le porte-filtre en le faisant tourner dans le sens des aiguilles d'une montre, éliminez ensuite les résidus de café et nettoyez-le avec un détergent, veillez à rincer les éléments à l'eau propre après le nettoyage.
4. Essuyez à fond tous les éléments après leur nettoyage.

Élimination des dépôts de tartre

Pour garantir le bon fonctionnement de votre cafetière électrique, vous devez éliminer les dépôts de tartre incrustés tous les 2 ou 3 mois.

1. Remplir le réservoir avec de l'eau et détartrant au niveau MAX (l'échelle de l'eau et détartrant est de 4: 1, le détail se réfère à l'instruction du détartrant. S'il vous plaît utiliser "détartrant de ménage». Vous pouvez utiliser l'acide citrique (obtenue à partir de chimistes ou les pharmacies) au lieu du détartrant (la relation est de trois parties d'eau et une partie de l'acide citrique).
2. Faites fonctionner l'appareil pendant deux cycles suivants, les étapes pour faire mousser le lait et café expresso et rincer l'appareil avec le mélange eau/détartrant.
3. Suite à cela, et à éliminer les éventuelles traces de détartrant ou l'acide citrique, de faire fonctionner la machine à café pour deux autres cycles, mais avec de l'eau seulement.

Données techniques

Modèle:	CM-85B.006A
Alimentation:	220 - 240V~, 50 Hz
Consommation:	850W
Classe de protection:	I

Conformité CE



Cet appareil a été contrôlé d'après toutes les directives européennes actuelles applicables et a été fabriqué en respect des réglementations techniques de sécurité les plus récentes.

Cet appareil a été conçu, construit et mis sur le marché conformément aux:

- objectifs de sécurité de la Directive Basse Tension 2014/35/UE ;
- Directive EMC 2014/30/UE – Compatibilité Electromagnétique.
- Directive RoHS 2011/65/EU
- La stipulation de la Directive 93/68/CEE

Cet appareil est destiné à être en contact avec de la nourriture et est conçu conformément à la directive CE 1935/2004/CEE.

La sécurité électrique de l'appareil est garantie uniquement si celui-ci est correctement branché à une installation de mise à la terre performante et réglementaire.

Élimination – La politique environnementale

Emballage



L'emballage est entièrement recyclable et porte le symbole du recyclage. Pour la mise au rebut, suivez les réglementations locales en vigueur. Les matériaux d'emballage (sachets en plastique, éléments en polystyrène, etc.) doivent être tenus hors de portée des enfants, car ils constituent une source potentielle de danger.

Mise au rebut

Cet appareil porte le symbole du recyclage conformément à la Directive Européenne 2012/19/EU concernant les Déchets d'Équipements Électriques et Électroniques (DEEE ou WEEE).

En procédant correctement à la mise au rebut de cet appareil, vous contribuerez à empêcher toute conséquence nuisible pour l'environnement et la santé de l'homme.



Ce symbole présent sur l'appareil ou sur la documentation qui l'accompagne indique que ce produit ne peut en aucun cas être traité comme déchet ménager. Il doit plutôt être remis au point de collecte approprié pour le recyclage des équipements électriques et électroniques.

L'élimination doit être effectuée conformément aux règlements environnementaux locaux pour l'élimination des déchets. Pour des informations plus détaillées sur le traitement, la récupération et le recyclage de ce produit, s'il vous plaît contacter votre bureau compétent de votre commune, votre service d'élimination des déchets ménagers ou directement à votre revendeur où vous avez acheté le produit.

Déclaration de garantie

Dans la mesure où les revendications concernent l'élimination de défauts (règlement légal), celles-ci sont à déposer auprès du partenaire contractuel (commerçant spécialisé). Au delà le distributeur fournit la garantie de fabricant suivante:

1. Pour cet appareil, le fabricant assure une garantie de 24 mois(*) selon les conditions décrites ci-après, le début de garantie comptant à partir de la date d'achat auprès du commerçant qui doit être documentée par l'original de la facture ou toute autre preuve écrite.
2. Les droits de garantie sont à faire valoir auprès ou l'appareil a été acheté.

3. La garantie s'étend à la réparation de tous les dommages et vices de l'appareil résultant sans aucun doute de vices de matière ou de construction pendant la période de garantie.
4. Ne sont pas couverts par la garantie volontaire les dommages et défauts provoqués par un raccordement non approprié, une manipulation impropre, ainsi que le non-respect des directives de programmation et d'utilisation. La garantie volontaire ne prend pas en charge les travaux d'installation et de programmation effectués par le commerçant spécialisé. Le client ne dispose pas du droit à des travaux d'installation ou de programmation gratuits du commerçant spécialisé. La garantie volontaire n'englobe pas les défauts qui n'amoinçissent que peu la valeur ou la capacité de fonctionnement de l'appareil. D'autres coûts, comme par ex. ceux de l'installation et des déplacements, sont expressément exclus dans le cadre de la garantie volontaire.
5. Le distributeur a la possibilité, s'il le veut, de remplacer l'appareil défectueux par un appareil de même valeur au lieu de procéder à une réparation. D'autres droits de dommages et intérêts ne sont pas octroyés. Après réparation ou échange, les données sauvegardées dans l'appareil sont effacées.
6. Cette garantie volontaire ne s'applique pas lorsque des modifications ont été apportées au produit ou lorsque le produit est utilisé dans un pays pour lequel il n'a pas été conçu et fabriqué.
7. La garantie volontaire sera seulement applicable si l'appareil, entièrement emballé contre bris et coups (si possible dans l'emballage d'origine), est envoyé au distributeur avec la justification de garantie.
8. Si le contrôle révèle que le cas est hors garantie ou que le produit n'a pas de défaut, c'est à l'utilisateur de supporter les coûts de réparation et de vérification. Le commerçant spécialisé se chargeant de ce droit ressortant de la garantie volontaire a le droit de facturer ces frais.
9. Toute prestation ressortant de la garantie volontaire n'implique ni le prolongement des délais de garantie ni ne met-elle en œuvre un nouveau délai pour la garantie volontaire.
10. Les droits de garantie légaux du client final ne sont ni exclus ni restreints par cette déclaration de garantie du fabricant.

Le client bénéficie de toutes les garanties prévues par la directive 1999/44/CE du Parlement européen et du Conseil du 25 Mai.

(*) Seulement pour les pays de l'Union Européenne

Meet the family



HAEGERTEC, s.a.

Edifício HAEGER – Pct. Cidade de Londres, 1
Parque Industrial do Arneiro
2660-456 S. Julião do Tojal
PORTUGAL
<http://www.haeger.pt>

Tel: +351 21 949 83 00 (Geral)
Tel: +351 21 949 83 20 (Sup. Téc.)
Fax: +351 21 949 83 25
e-mail: suporte.tec@haeger.pt
e-mail: comercial@haeger.pt

